

# SolarRAE™

## Remote Alternative Power Source

The RAE Solar Enclosure provides safe and reliable power generation without the expense of installing utility power. The solar system is designed to be used with AreaRAE wireless detectors or any RAE Systems wireless product including the MiniRAE, ppbRAE, MultiRAE, and ChemRAE.

SolarRAE provides remote power for RAE Systems monitors. Each system has an externally mounted 30-watt solar panel that provides power to a 55 Amp/hr sealed gel battery specifically designed for solar systems. In addition, each solar enclosure is equipped with a powerful fan that automatically circulates cool air inside the enclosure when a specific temperature threshold is reached. Fully charged, a solar enclosure can provide up to 2 weeks of continuous usage with no additional solar input.



### Key Features

- Ruggedized steel enclosure to withstand harsh environments
- Viewing window allows for local readings and alarm notification
- Powerful ventilation fan enables use in hot environments
- Large 55 Amp/hr gel battery specifically designed for solar applications
- Fully adjustable (tilt and rotate) 30W solar panel to maximize power output
- Fully adjustable external antenna to maximize radio transmission distances
- Lightning arrestor to prevent damage to internal components

SolarRAE is compatible with:

- AreaRAE series
- SentryRAE
- ChemRAE
- MultiRAE
- MiniRAE 2000
- ppbRAE Plus
- MiniRAE 3000
- ppbRAE 3000

### Additional Features

- Up to 2 weeks of continuous power with no sunlight
- Ruggedized steel enclosure
- Local viewing window
- 30W solar panel
- Fan to regulate internal temperature
- External fiberglass antenna

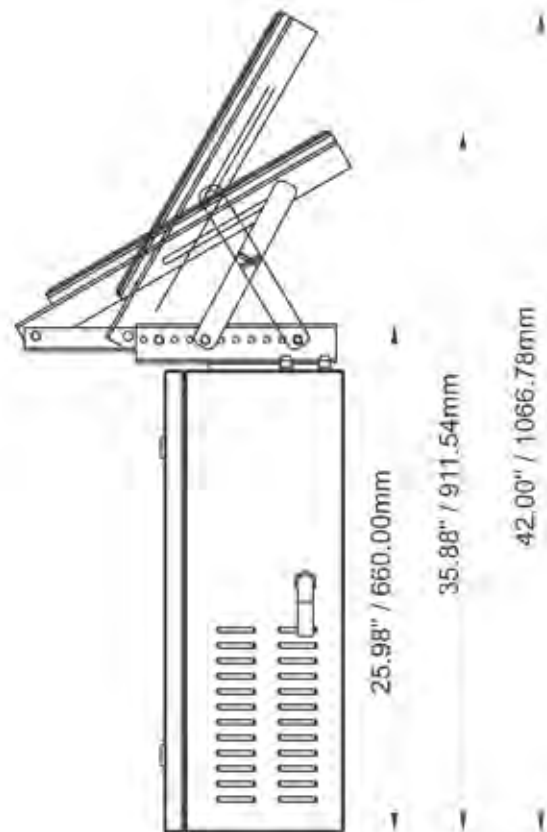
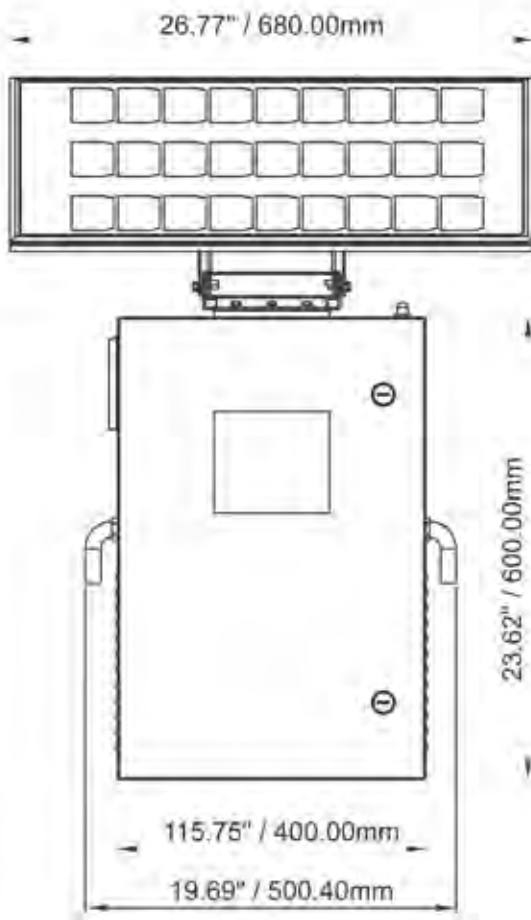


ver1\_09.07

## Specifications\*

<b>Size</b>	20" W x 10" D x 42" H (50cm W x 25cm D x 1065cm H) *see diagram below
<b>Weight</b>	70.5 lbs (32 kg) *not including battery weight
<b>Material</b>	Painted steel enclosure with and stainless steel components
<b>Solar Panel</b>	30 W peak output
<b>Battery</b>	55 Amp-hr sealed gel
<b>Charging Controller</b>	97% efficiency with included overcharge protection
<b>Cooling Fan</b>	Maximum airflow of 84 CFM (2.4 m <sup>3</sup> /min)
<b>Operating Temperature</b>	-4° to 122° F (-20° to 50° C)
<b>Pole Mount</b>	2" to 3.5" diameter (5cm to 8.9cm)
<b>Certifications</b>	None

\*Specifications are subject to change



DISTRIBUTED BY:

ver1\_09.07

**RAE Systems Inc.** USA/Canada 1-877-723-2878  
 3775 North First Street Europe/Russia +45 8652 5155  
 San Jose, CA 95134 USA Middle East/Australia +971 4 3639 427  
 raesales@raesystems.com China +86 10 58858788  
 Asia +852 2669 0828

[www.raesystems.com](http://www.raesystems.com)

